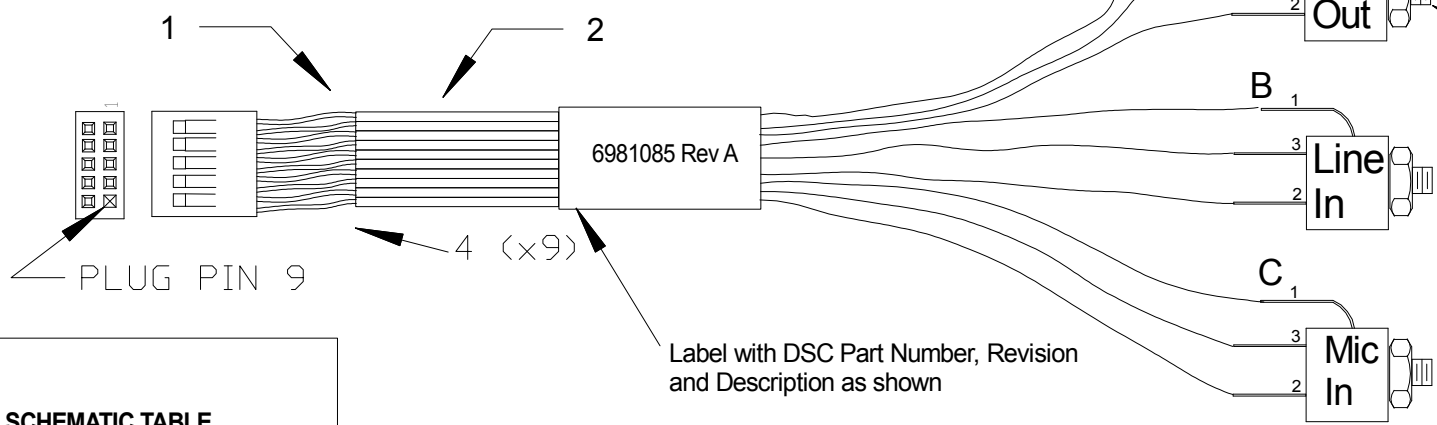


REVISIONS				
ZONE	REV	DESCRIPTION	DATE	APPROVED

12.0"

Heatshrink all terminals (9 places) and label as shown



3(x3)

SCHEMATIC TABLE

2x5	3.5mm Stereo Jack	
1	a2	Out_L+
2	a3	Out_R+
3	a1	GND
4	b2	Line_L
5	b3	Line_R
6	b1	GND
7	c2	Mic_I
8	c3	Mic_P
9	NC	(Key)
10	c1	GND

1. 2x5, 2mm Grid wire to board (MOLEX 51110-1050 or equivalent)
2. 1mm Ribbon cable, 10 conductor. (Amphenol Spectra-zip 191-2815-010 or equivalent)
3. 3.5mm Stereo Jack, panel mount. (Kycon STPX-3501-3C or equivalent)
4. Crimp terminal (MOLEX 50394-8100 or equivalent)
5. All components and materials should be RoHS compliant.

Label with DSC Part Number, Revision and Description as shown

Pin	Description
1	Shield
2	Tip (Left)
3	Ring (Right)

Diamond Systems Corporation				
Cable, Audio, 2mm to 3x 3.5mm				
Not to scale	SIZE	FSCM NO.	DWG NO.	REV
	A		6981085	A
SCALE		SHEET	1 of 1	